

SPECIFICATIONS FOR READER BOARD SIGNAGE

VISIBLE OPENINGS FOR:	4 INCH	6 INCH	8 INCH	10 INCH	12 INCH	15 INCH	17 INCH
1 LINE OF COPY	7-1/2"	9-1/2"	12-1/2"	14-1/2"	16-1/2"	19-1/2"	21-1/2"
2 LINES OF COPY	13-3/8"	17-3/8"	23-3/8"	27-3/8"	31-3/8"	37-3/8"	41-3/8"
3 LINES OF COPY	19-1/4"	25-1/4"	34-1/4"	40-1/4"	46-1/4"	55-1/4"	61-1/4"
4 LINES OF COPY	25-1/8"	33-1/8"	45-1/8"	53-1/8"	61-1/8"	73-1/8"	81-1/8"
5 LINES OF COPY	31"	41"	56"	66"	76"	91"	101"

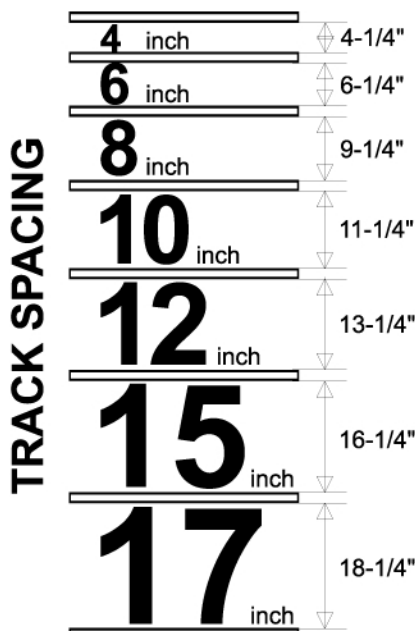
OPTIMUM VIEWING DISTANCE FOR RED OR BLACK LETTERS AGAINST WHITE

4" LETTERS =	150 FEET
6" LETTERS =	200 FEET
8" LETTERS =	350 FEET
10" LETTERS =	450 FEET
12" LETTERS =	525 FEET
15" LETTERS =	630 FEET
24" LETTERS =	1000 FEET
30" LETTERS =	1250 FEET
36" LETTERS =	1500 FEET
42" LETTERS =	1750 FEET
48" LETTERS =	2000 FEET

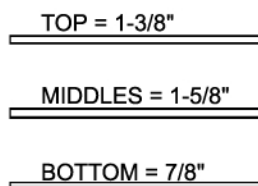
NUMBER OF CHARACTERS THAT WILL FIT IN A TEN FOOT LENGTH OF TRACK: (INCLUDING SPACE)

4" LETTERS =	34-1/2 CHARACTERS
6" LETTERS =	24 CHARACTERS
8" LETTERS =	18-1/2 CHARACTERS
10" LETTERS =	14-1/2 CHARACTERS
12" LETTERS =	12 CHARACTERS
15" LETTERS =	10 CHARACTERS
17" LETTERS =	8-1/2 CHARACTERS
24" LETTERS =	6 CHARACTERS

RECOMMENDED MINIMUM PER SIGN:
12-15 LETTERS PER LINE / 40-50 PER SIGN



TRACK SIZES



6' - 18' MAXIMUM HEIGHT FOR USE OF LETTER CHANGING ARMS



GARRETT SIGN
WWW.GARRETTSIGN.COM